



**DULEVO**  
FAYAT GROUP



**D.zero<sup>2</sup>**  
100% ELECTRIC

**Ecological and innovative technology**



## ZERO EMISSIONS, 100% PERFORMANCE

Today, Dulevo International has designed the first fully electric street sweeper, guaranteeing an optimum performance and minimal environmental impact.

The new machine, named the D.zero<sup>2</sup>, has been created to comply with four fundamental characteristics that constitute its design philosophy and that make it a unique product within the sector:

**ZERO EMISSIONS**



**ZERO MANOEUVRE PROBLEMS**



**ZERO LIMITATIONS**



**ZERO RISKS**





## ZERO EMISSIONS

The new Dulevo electric street sweeper is characterised by the fact that zero dust pollution, Zero CO2 Emissions and zero harmful gases are re-emitted into the environment during the collection phase. The various work functions, being electric and therefore not dependent on a traditional engine, reduce noise emissions by a staggering 30% with respect to traditional street sweepers. This particular characteristic enables the operators to make the most of the night shift, cleaning the streets without disturbing the peace.





## ZERO MANOEUVRE PROBLEMS



The new electric model, thanks to its size and optimal manoeuvrability, is able to operate superbly within historic city centres and tight spaces, such as cycle paths and pedestrian zones.

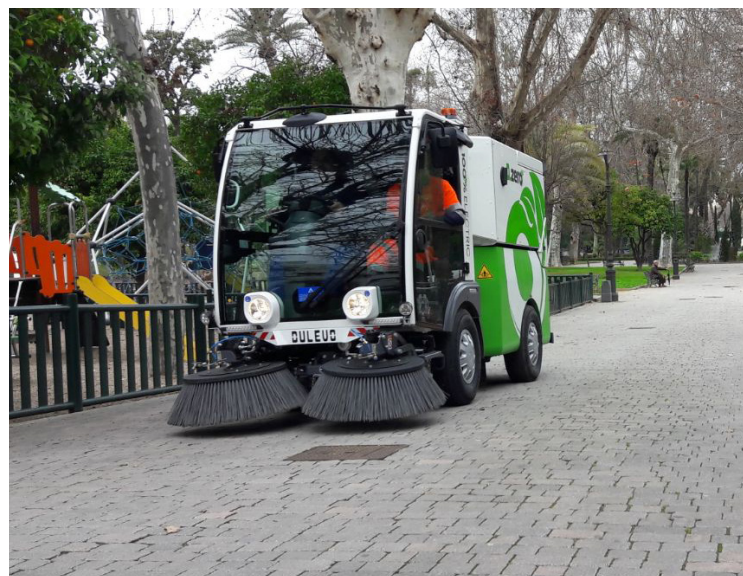
Being an articulated street sweeper, steering by means of the central joint on the two halfframes facilitates even the most complex of manoeuvres.



## ZERO LIMITATIONS

Capable of replacing traditional machines with endothermic engines in terms of power and sweeping capacity, the new Dulevo ensures a full work shift, without having to reload the vehicle. If on the one hand, the sweeping performance is on par with that of a traditional street sweeper, then on the other, the running and maintenance costs are drastically lower. In fact, the running costs of an electric sweeper are approximately 80% lower than those of a diesel-powered machine, working the same number of hours and shifts. The maintenance costs are also lower. The battery life of the Dulevo electric sweeper is guaranteed up to 3,000 cycles\*.

\*Dulevo internal assessment

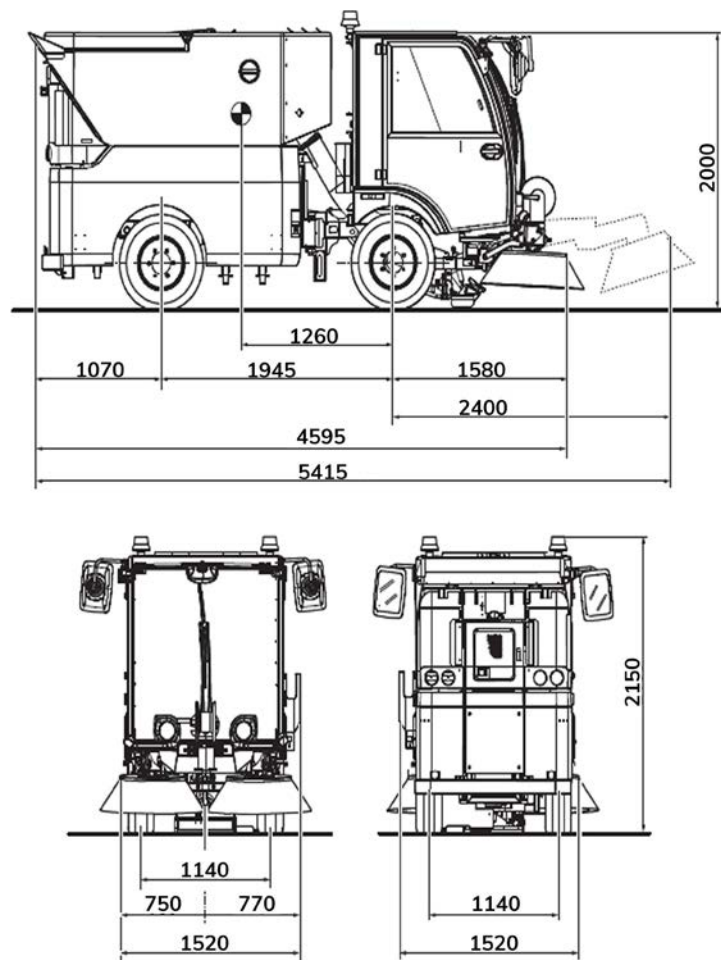




## ZERO RISKS



Safety requirements regarding both the operator and other persons who frequently come into contact with the machine (maintenance technicians, personnel on the ground for joint operations etc.), has led us to adopt low-voltage technology, so as to nullify the risks associated with electric equipment.



TECHNICAL DATA		D.zero <sup>2</sup>	D.zero <sup>2</sup> Plus
Sweeping width			
- Minimum	mm	1750	
- Maximum	mm	3200	
- With third brush	mm	n.d.	3400
Grosse volume capacity	m <sup>2</sup>	2.1	
Dumping height	mm	1450	
Maximum speed	Km/h	25	
Cleaning performance	m <sup>2</sup> /h	25.200	33.600
Seats in the cabin	n°	2	
Battery	Ah/V	600 / 96	800 / 96



Specifications are not binding for our company and subject to change at any time without notice



# **DULEVO**

**FAYAT GROUP**



Dulevo International S.p.A.  
Via Giovannino Guareschi, 1  
43012 Fontanellato (PR) Italia  
Tel: +39-0521-827711  
Fax: +39-0521-827795  
[www.dulevo.com](http://www.dulevo.com)